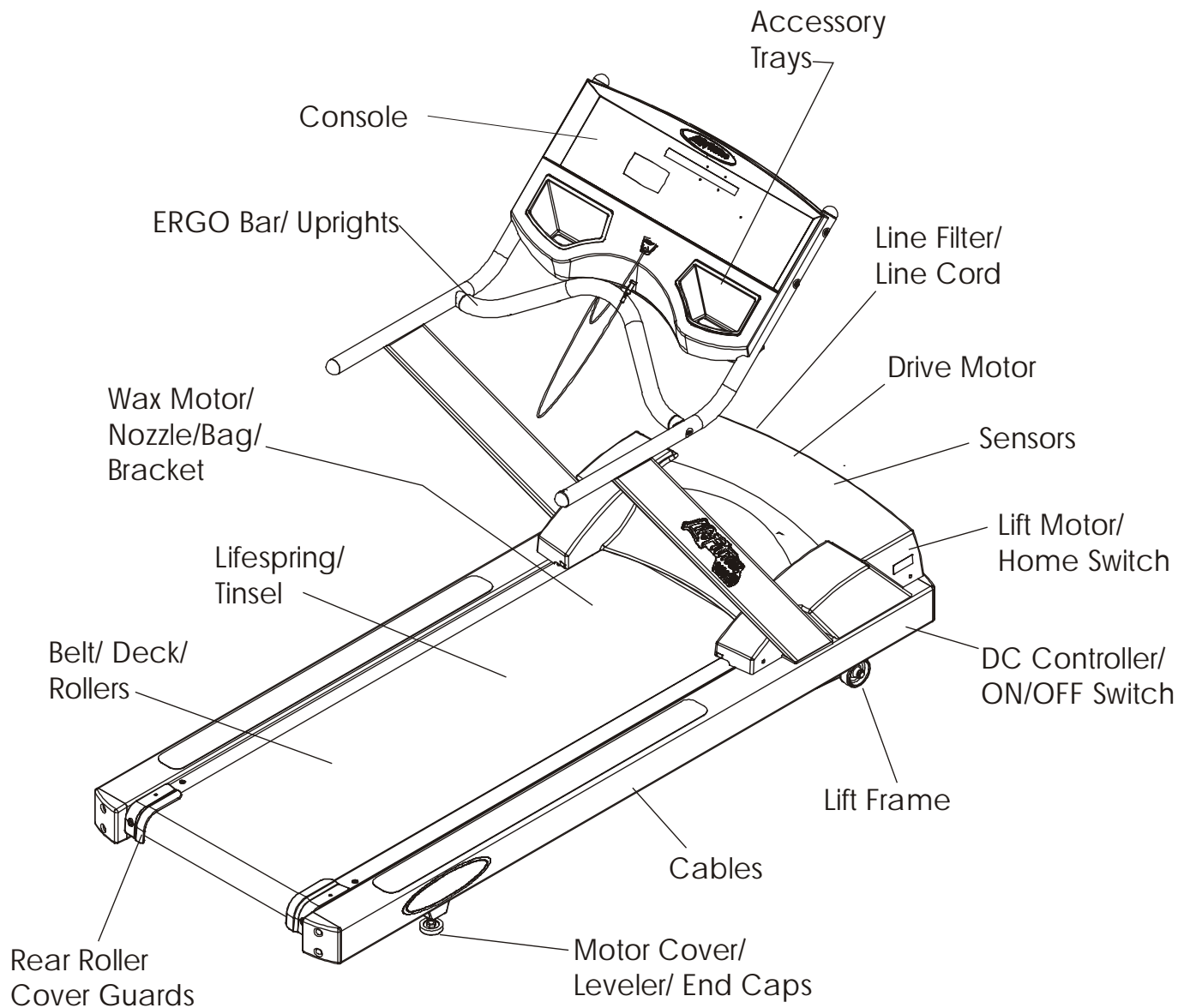


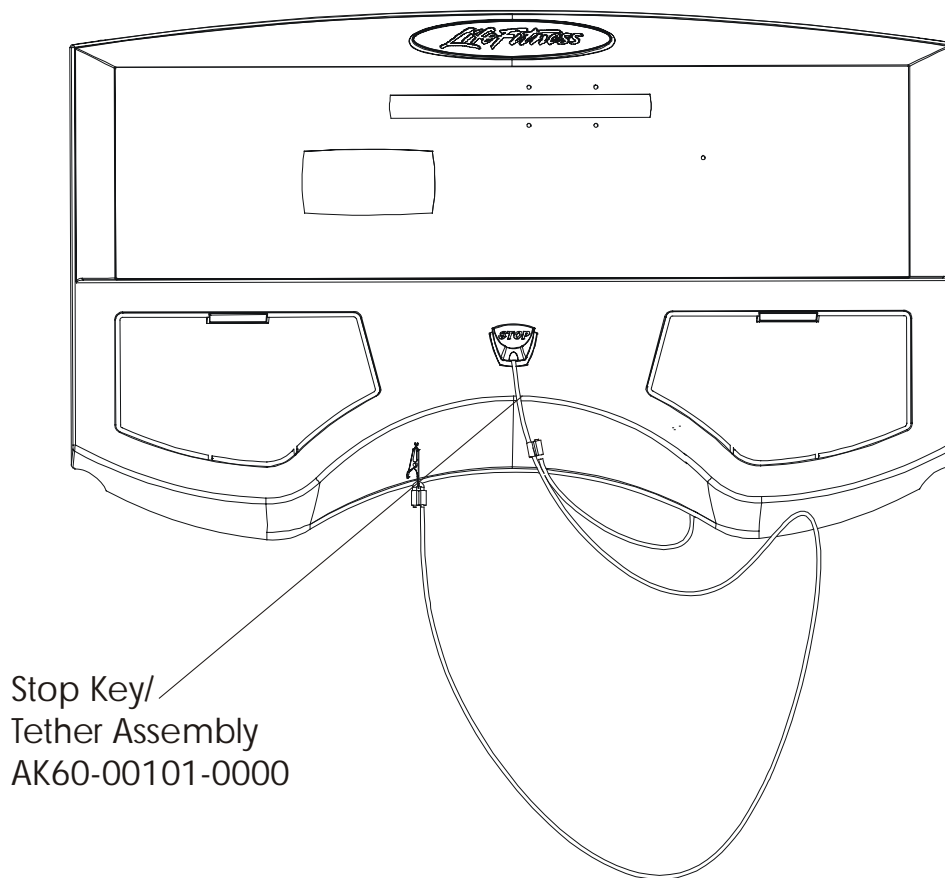
General Assembly



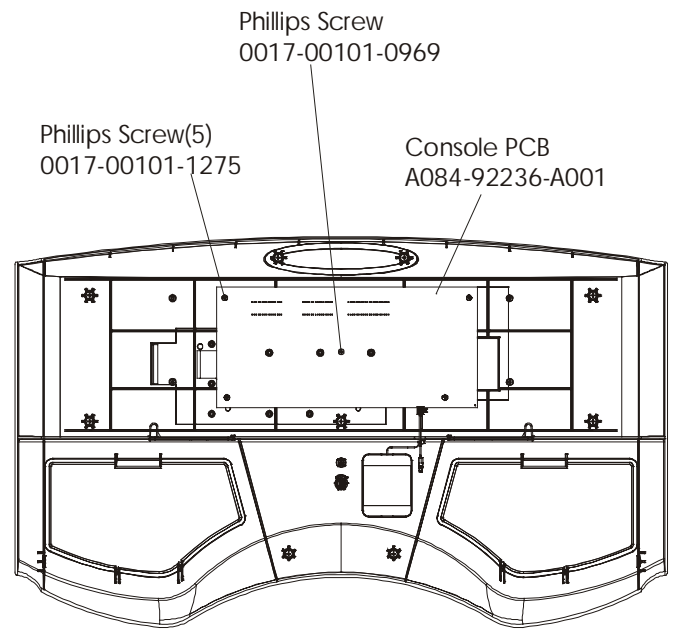
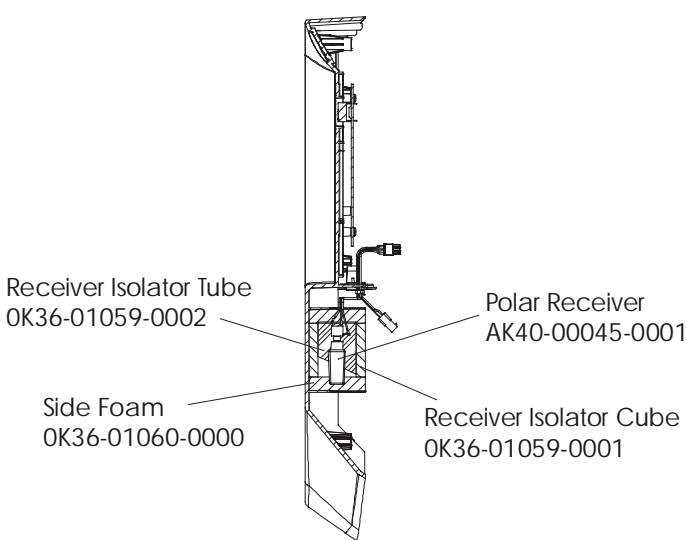
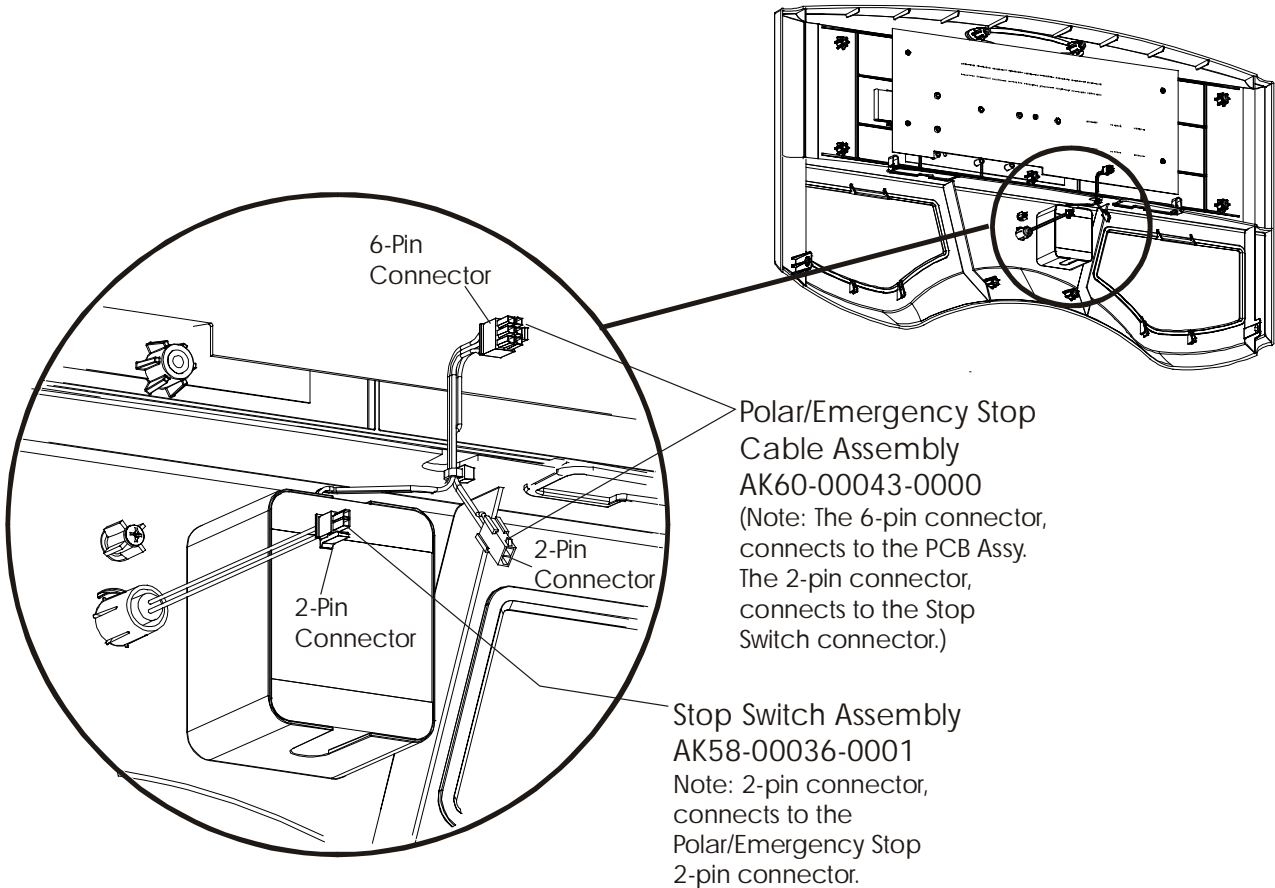
Operation Manual TR90/85	M051- 00K20-A371
Service Manual TR90/85/T9i	M051-00K60-A013

Console Assembly (1 of 3)

TR8500 Console Assembly		TR8500 Overlay Bezel	
AK60-00015-0001	Eng/Met	AK60-00012-0001	Eng/Met
AK60-00015-0003	Ger/Met	AK60-00012-0003	Ger/Met
AK60-00015-0004	Spn/Met	AK60-00012-0004	Spn/Met
AK60-00015-0006	Jap/Met	AK60-00012-0006	Jap/Met
AK60-00015-0007	Frn/Met	AK60-00012-0007	Frn/Met
AK60-00015-0008	Itl/Met	AK60-00012-0008	Itl/Met
AK60-00015-0009	Dut/Met	AK60-00012-0009	Dut/Met
AK60-00015-0010	Por/Met	AK60-00012-0010	Por/Met

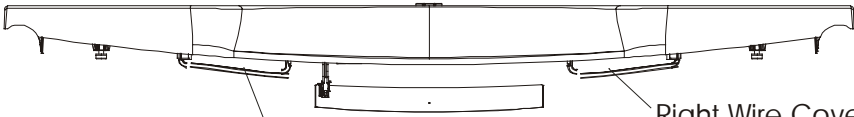
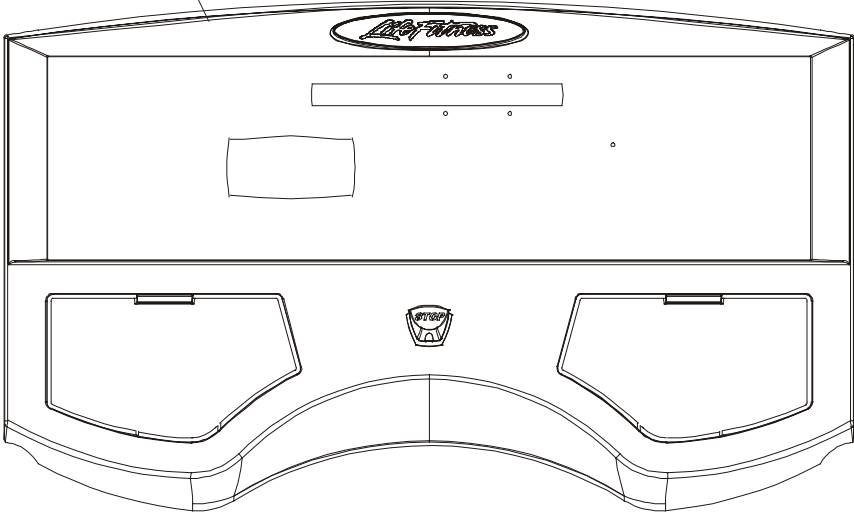


Console Assembly (2 of 3)



Console Assembly (3 of 3)

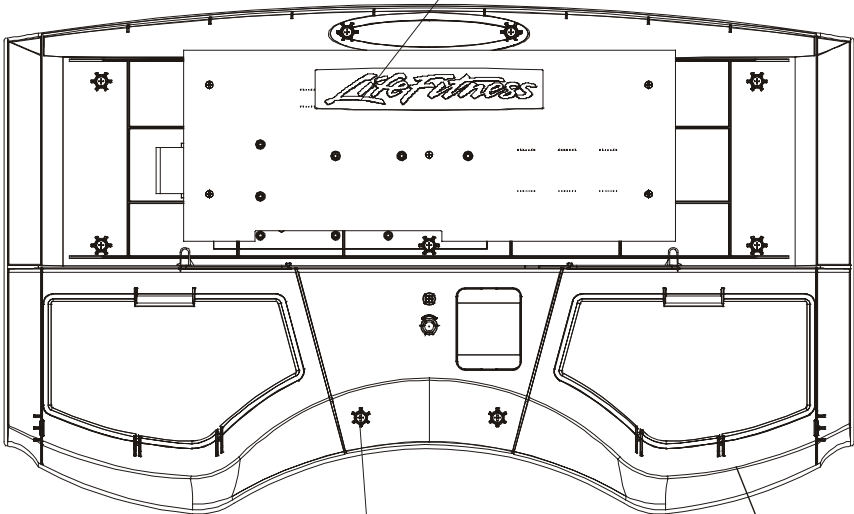
Console Front w/o Overlay
AK60-00011-00SC



Left Wire Cover
OK60-01041-0001

Right Wire Cover
OK60-01041-0002

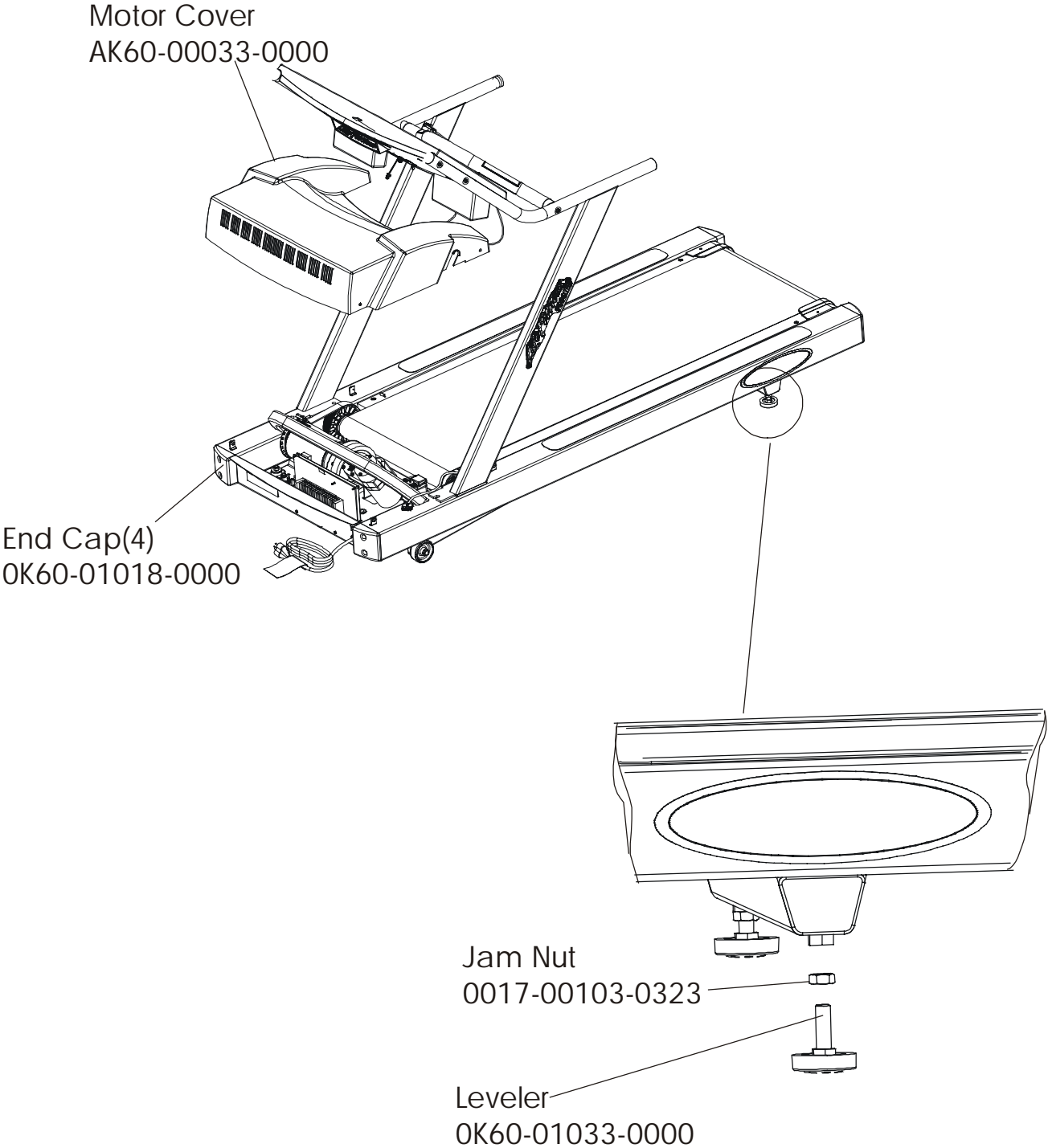
Rear Decal
OK58-01129-0000



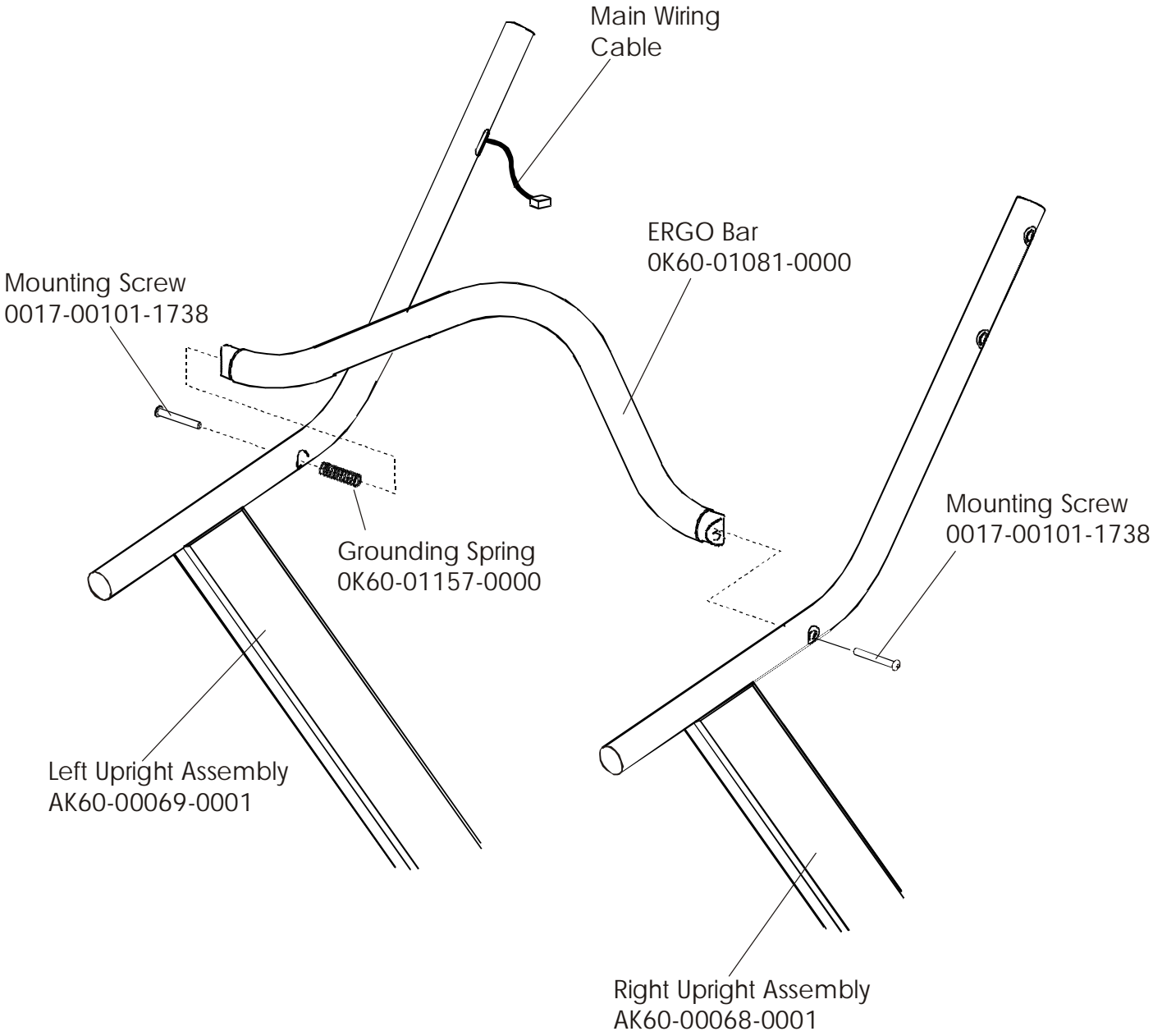
Phillips Screw(9)
0017-00101-1288

Console Rear Case
OK60-01072-000

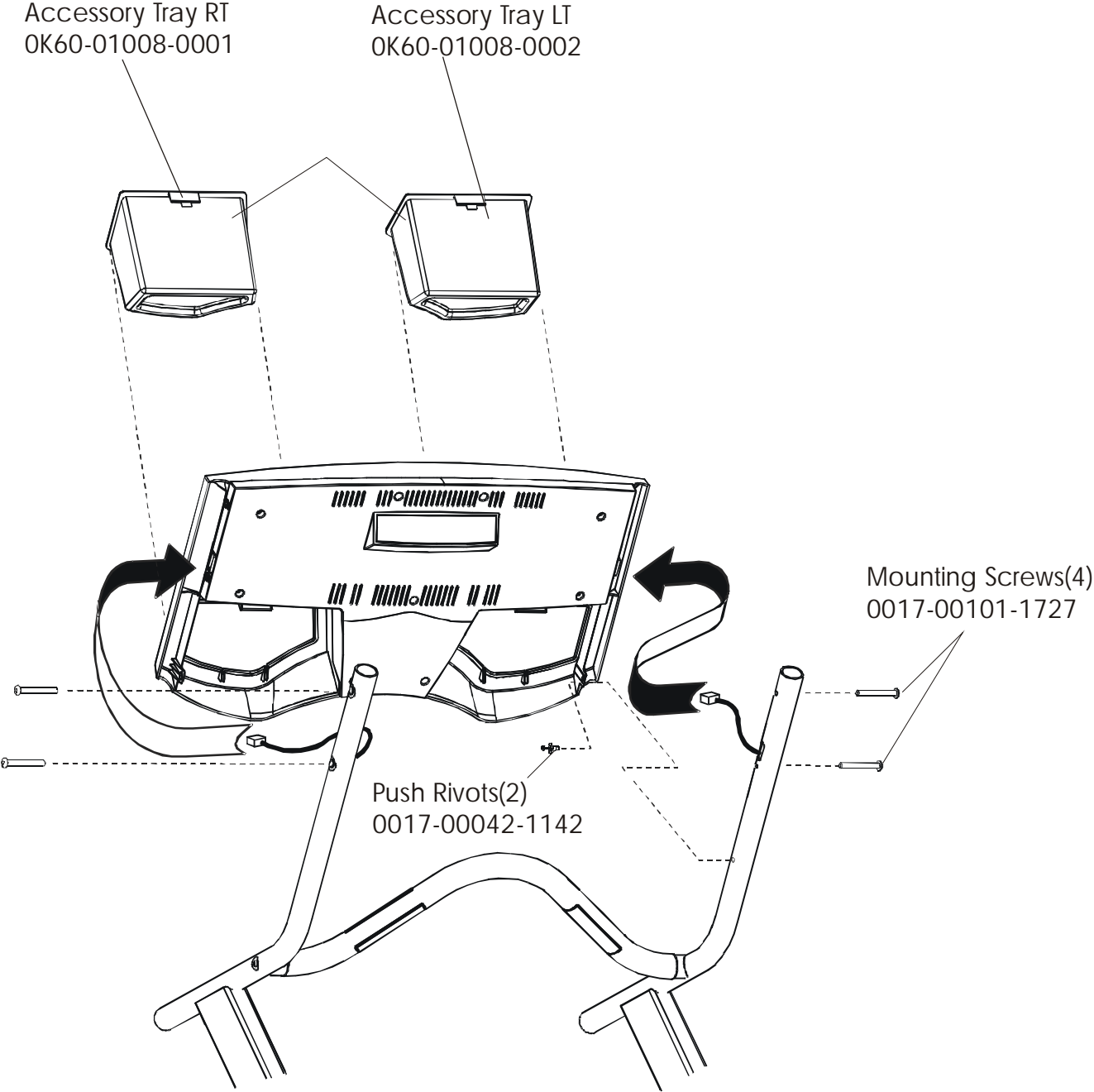
Motor Cover, Leveler, and End Caps



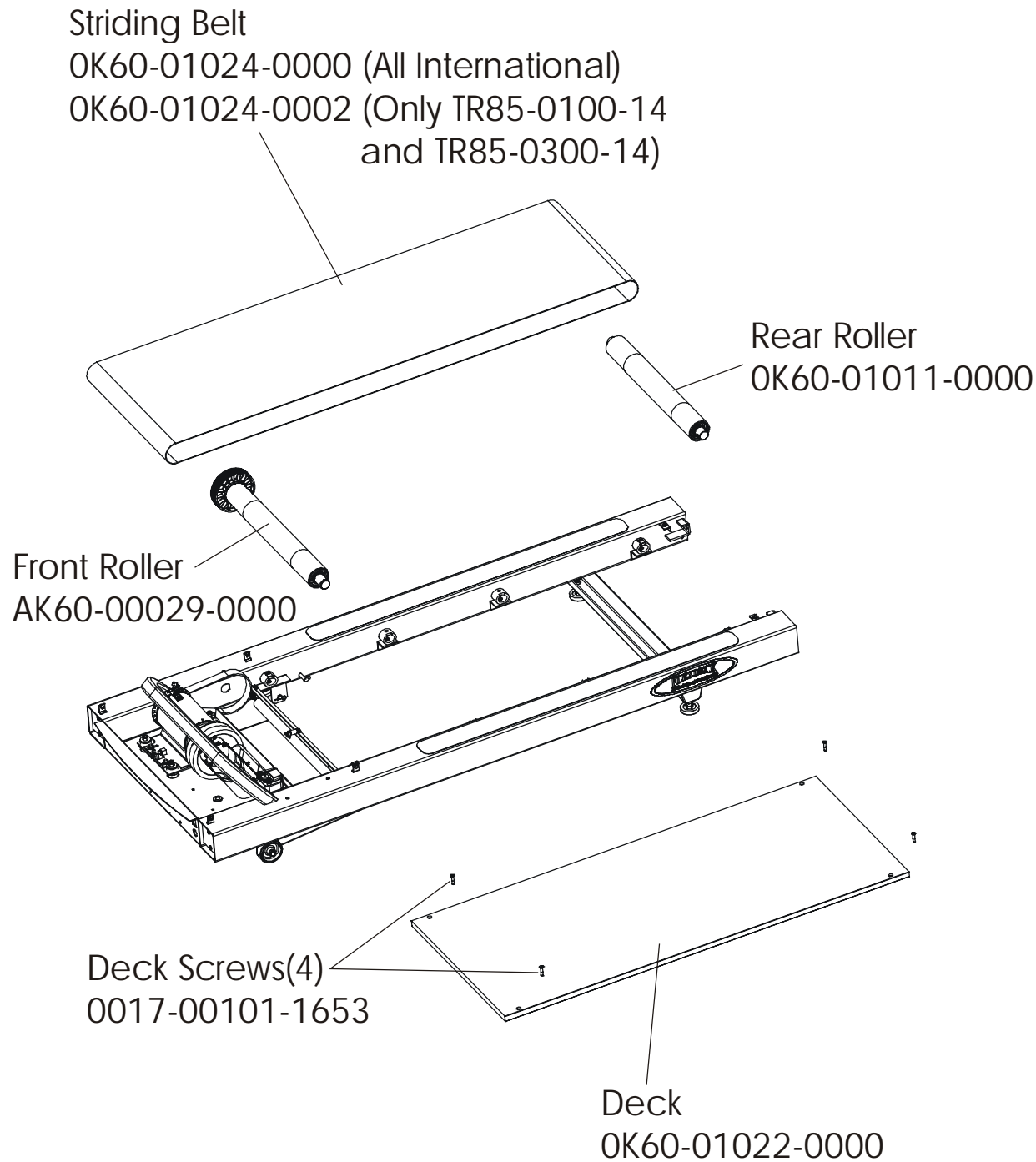
ERGO Bar and Upright Assembly



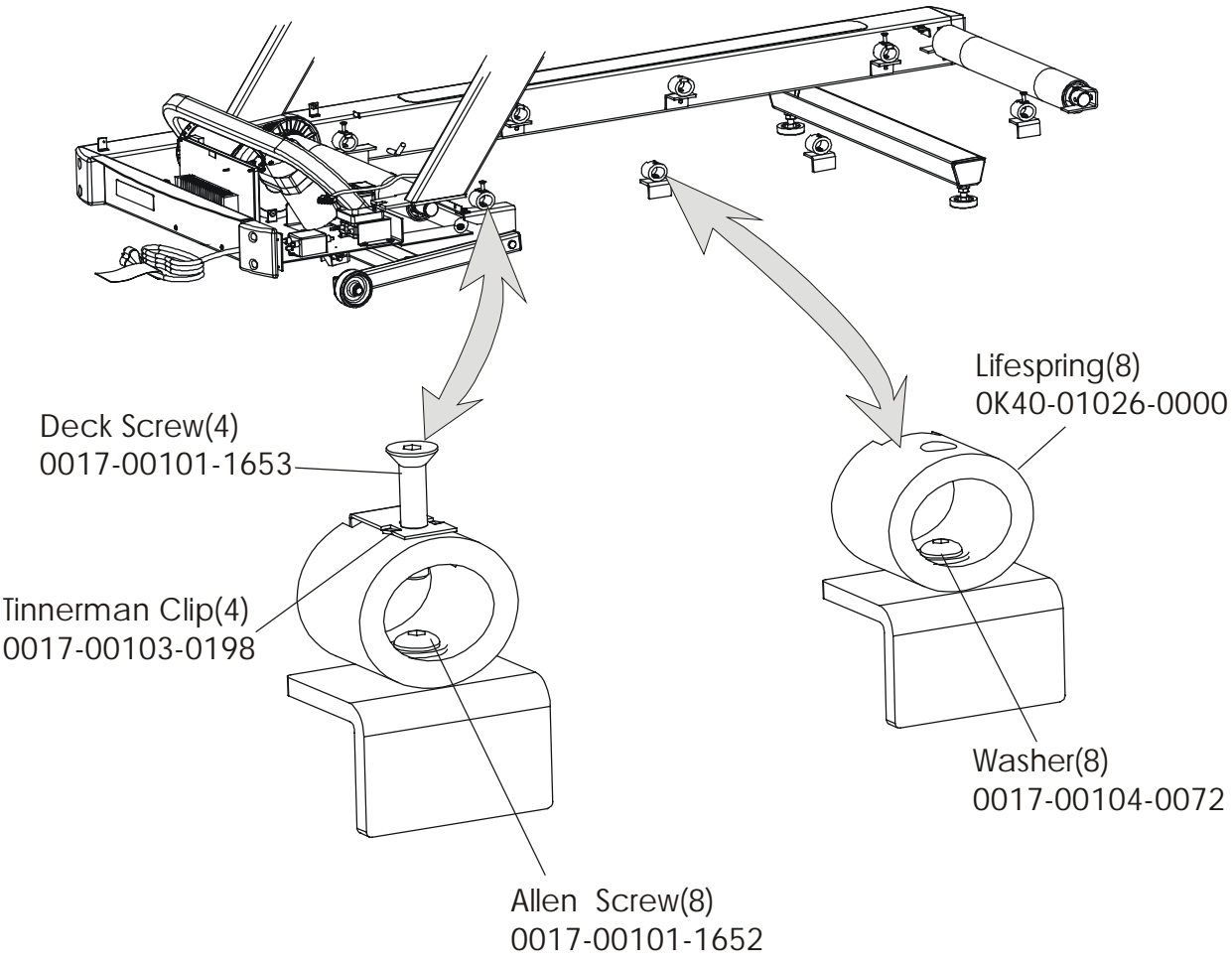
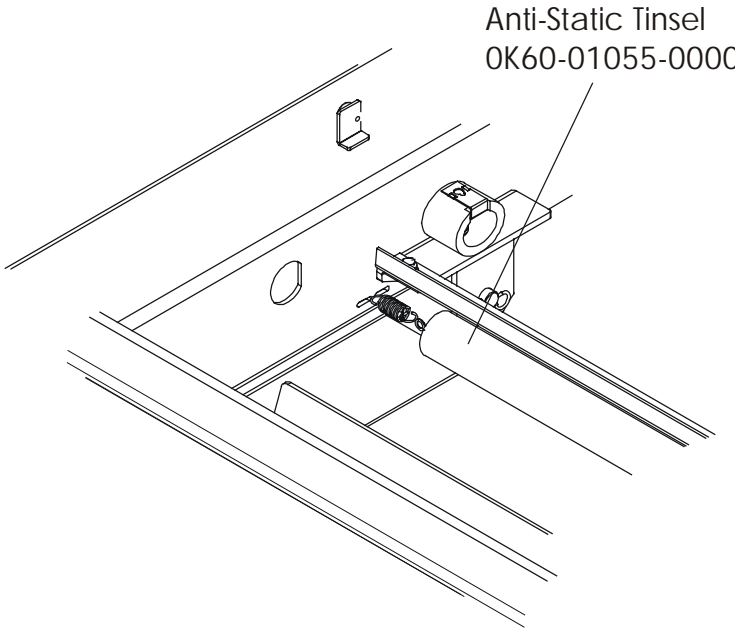
Accessory Trays



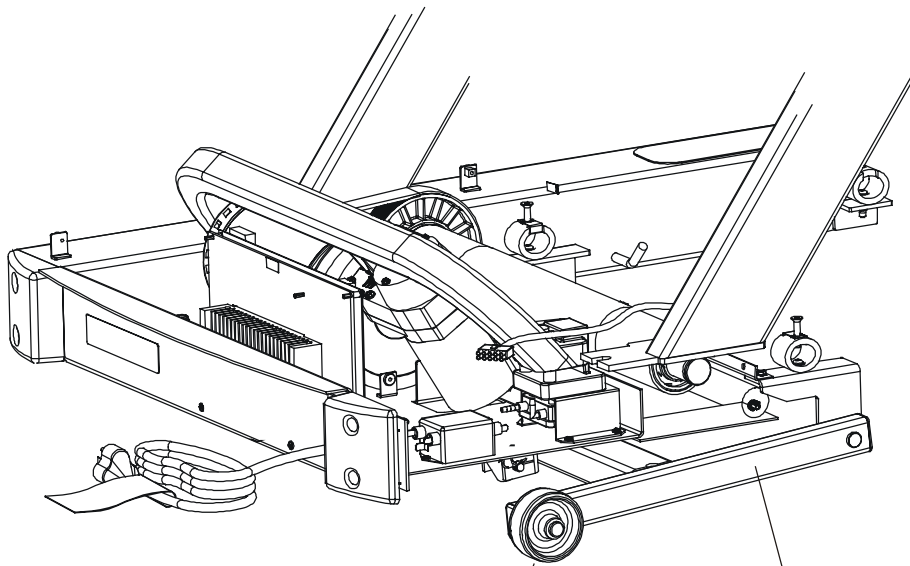
Belt, Deck, and Rollers



Lifesprings & Anti-Static Tinsel



Lift Frame Assembly

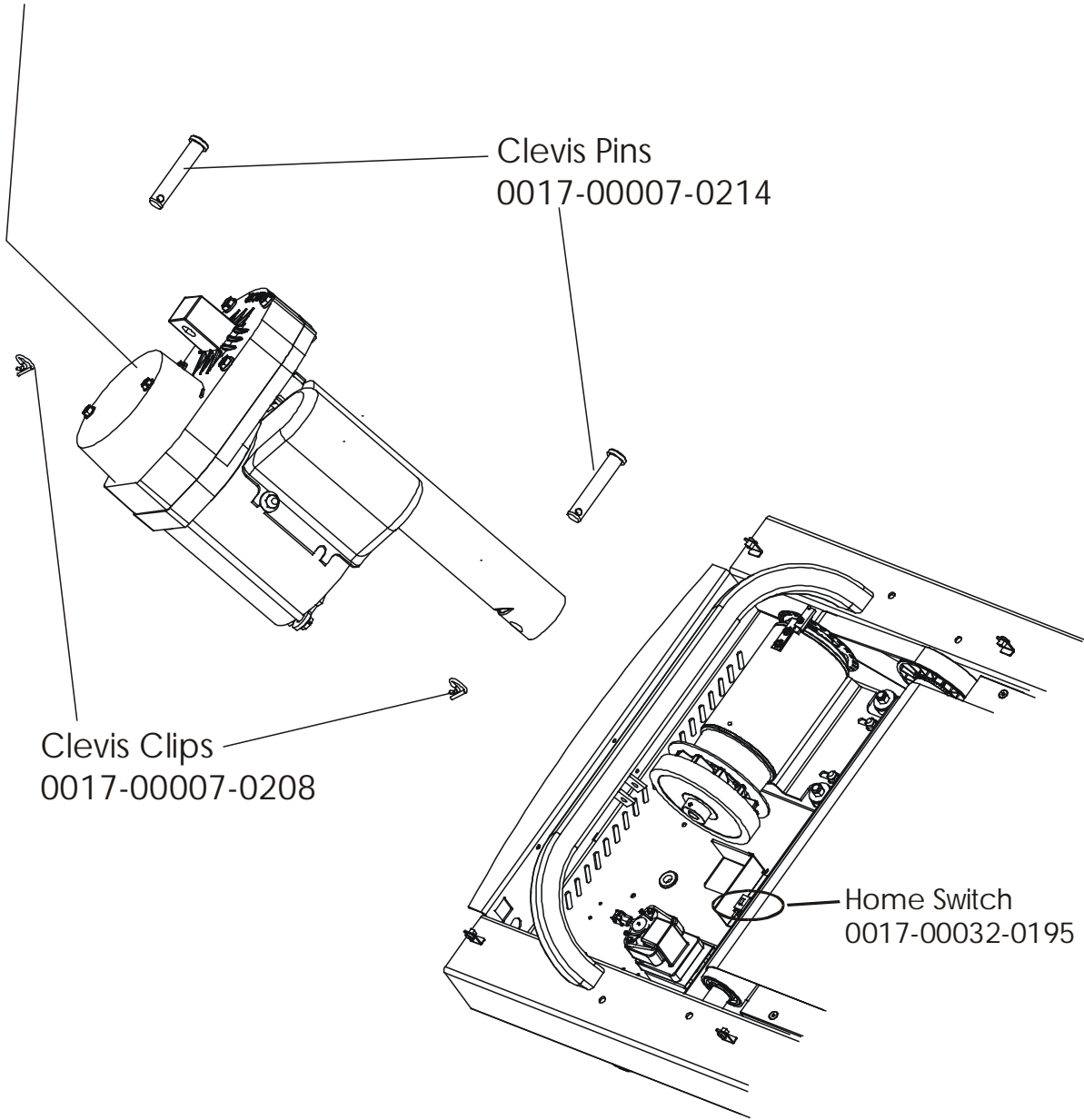


Wheel Assembly
0K60-01020-0000
Cap
0K60-01092-0000
Cotter Pin
0017-00007-0208
Clevis Pin
0017-00007-0271

Lift Frame Assembly
AK60-00065-0000

Lift Motor and Home Switch

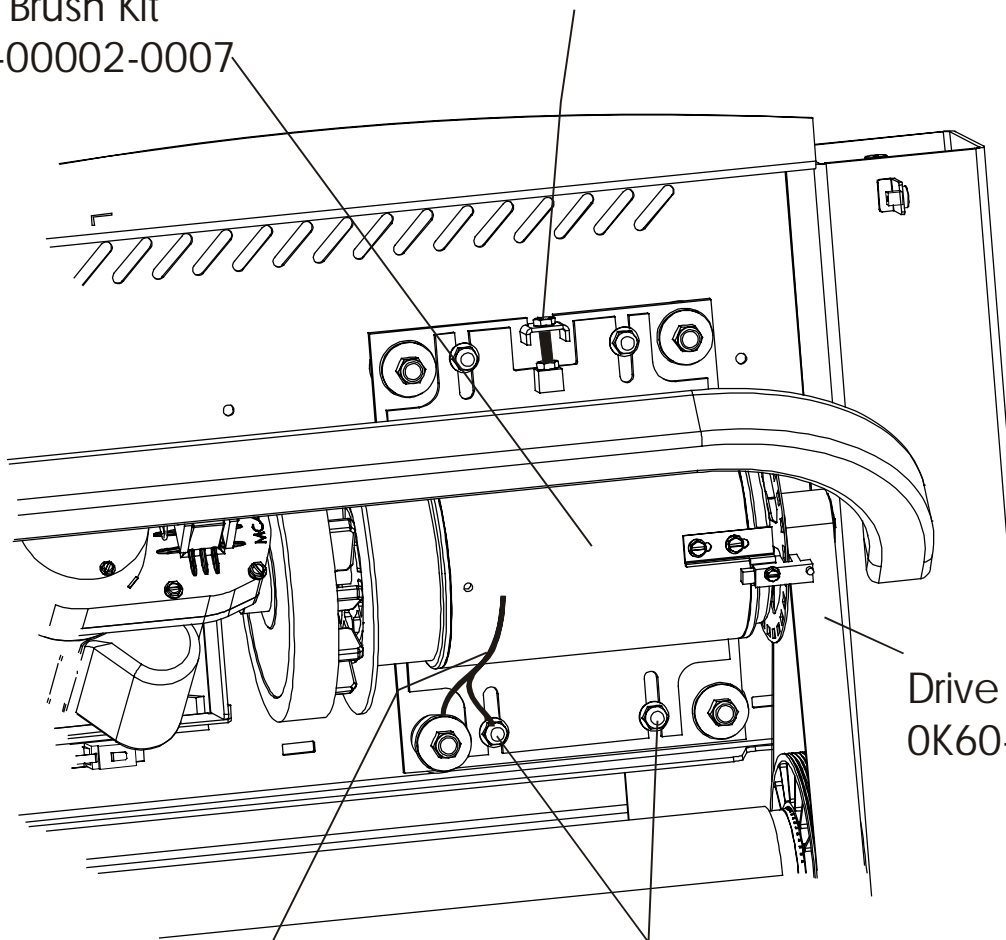
Lift Motor
OK60-01094-0000 (120v)
OK60-01166-0000(220v/60Hz)



Drive Motor Assembly

Drive Motor Assembly
AK60-00081-0000
Motor Brush Kit
GK60-00002-0007

Tensioning Bolt
0017-00101-1283

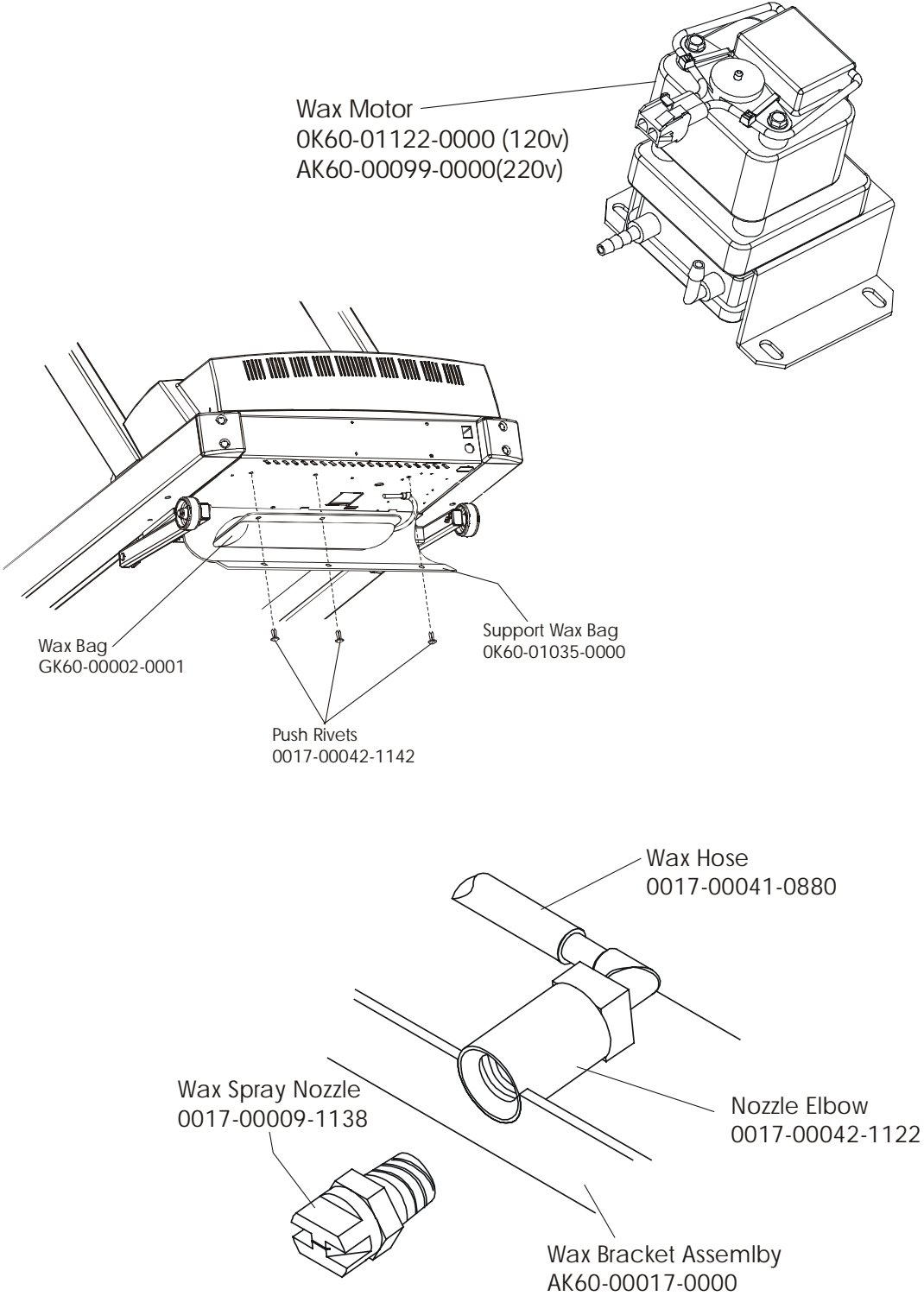


Drive Belt
OK60-01025-0000

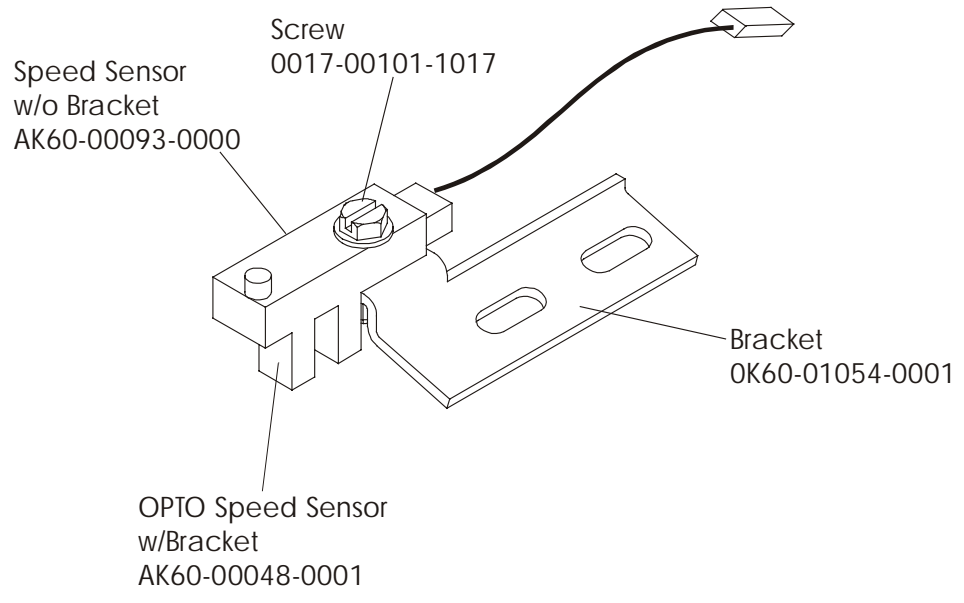
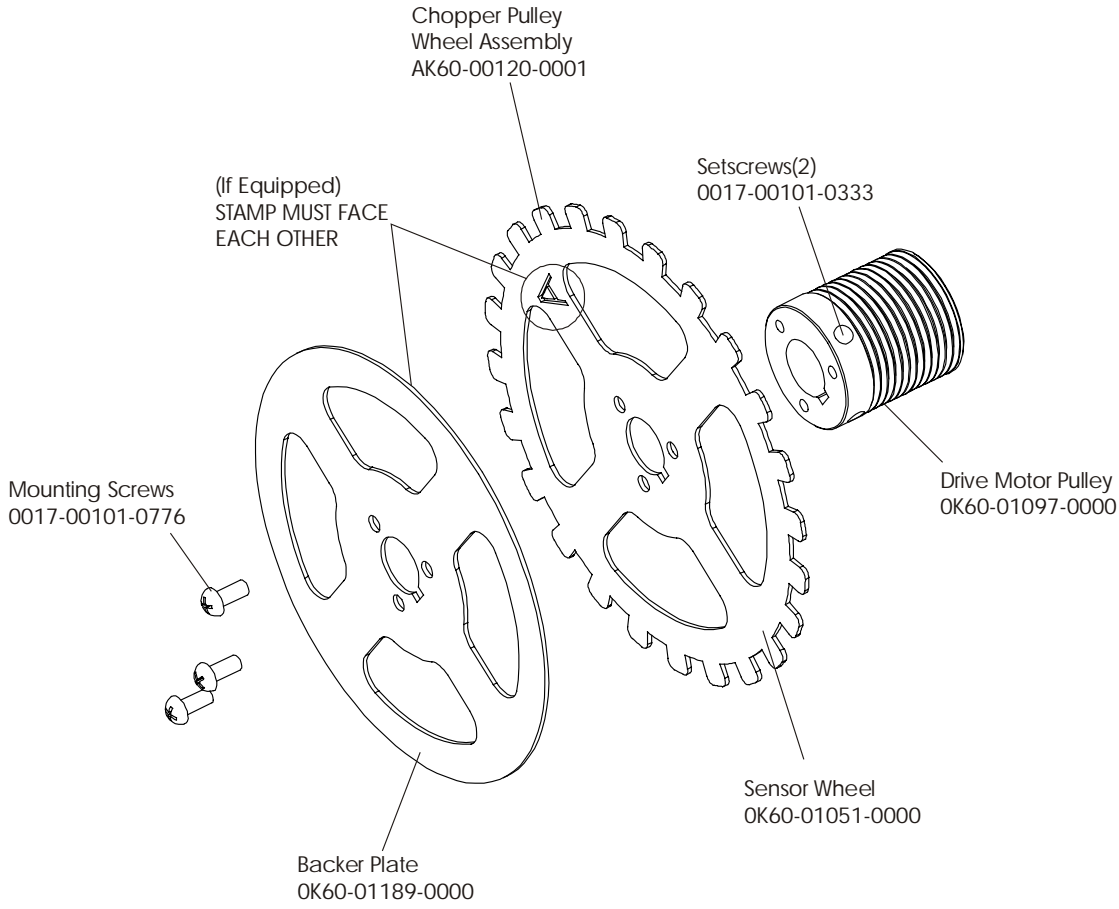
Current Limit Wires
AK60-00098-0000

Mounting Nuts(4)
0017-00103-0132

Wax Motor, Wax Bag, and Wax Nozzle & Bracket



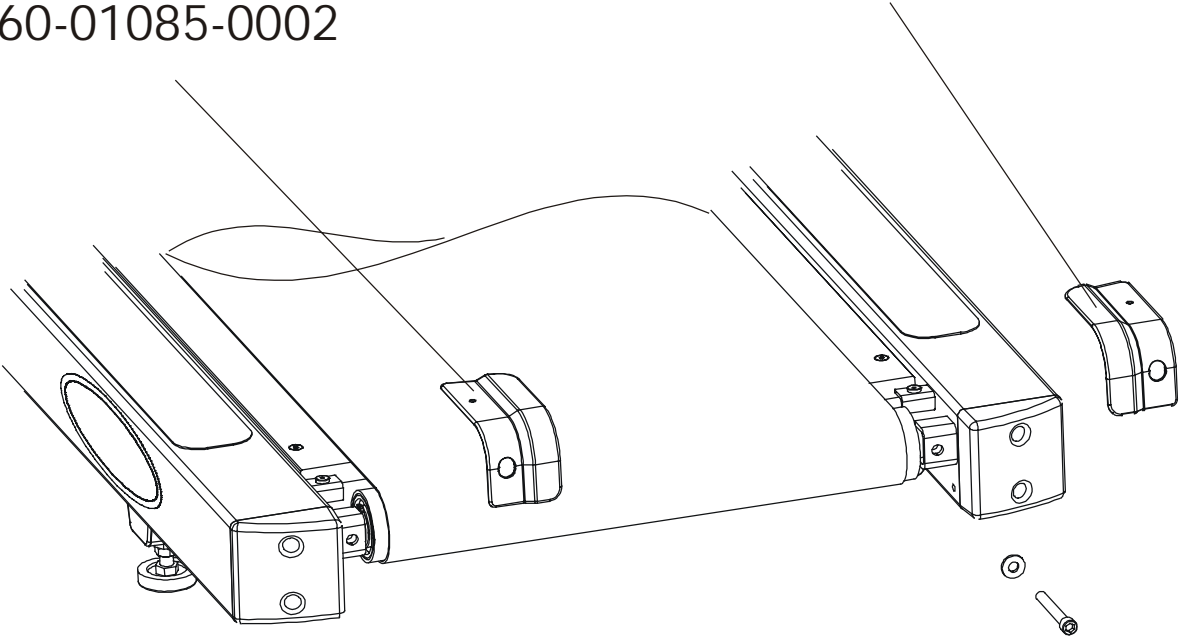
Sensors



Rear Roller Cover Guards

Rear Roller
Cover Guards LT
0K60-01085-0002

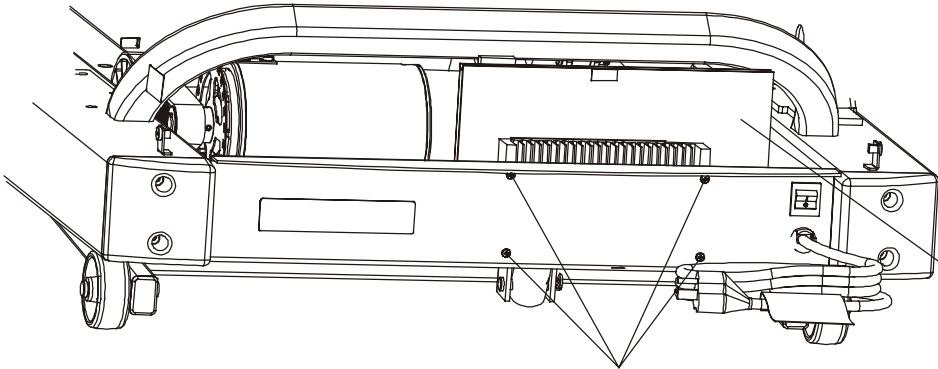
Rear Roller
Cover Guards RT
0K60-01085-0001



Washer(2)
0017-00104-0334

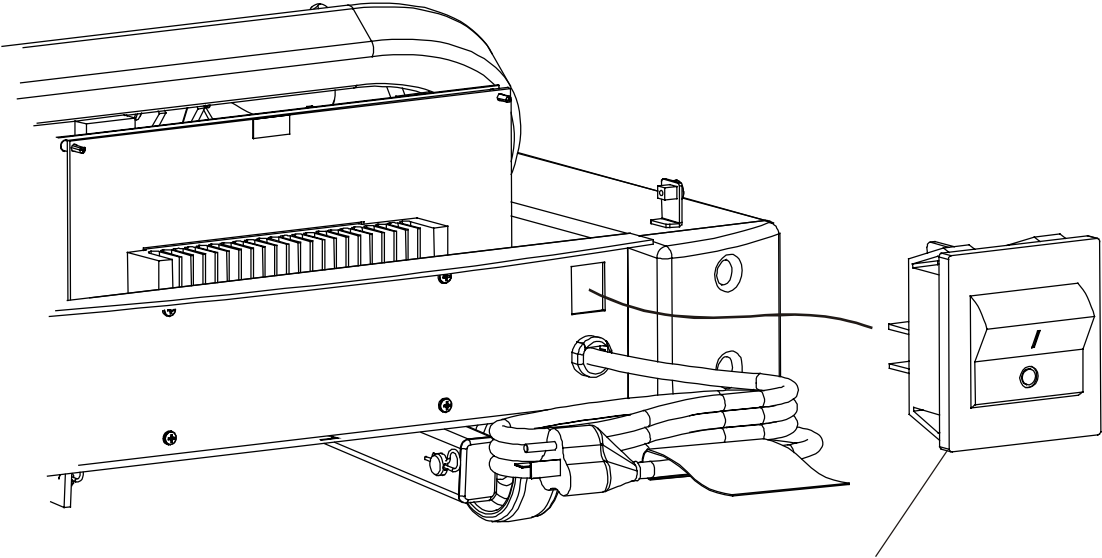
Rear Roller
Adjusting Bolt(2)
0017-00101-1714

DC Controller and ON/OFF Switch



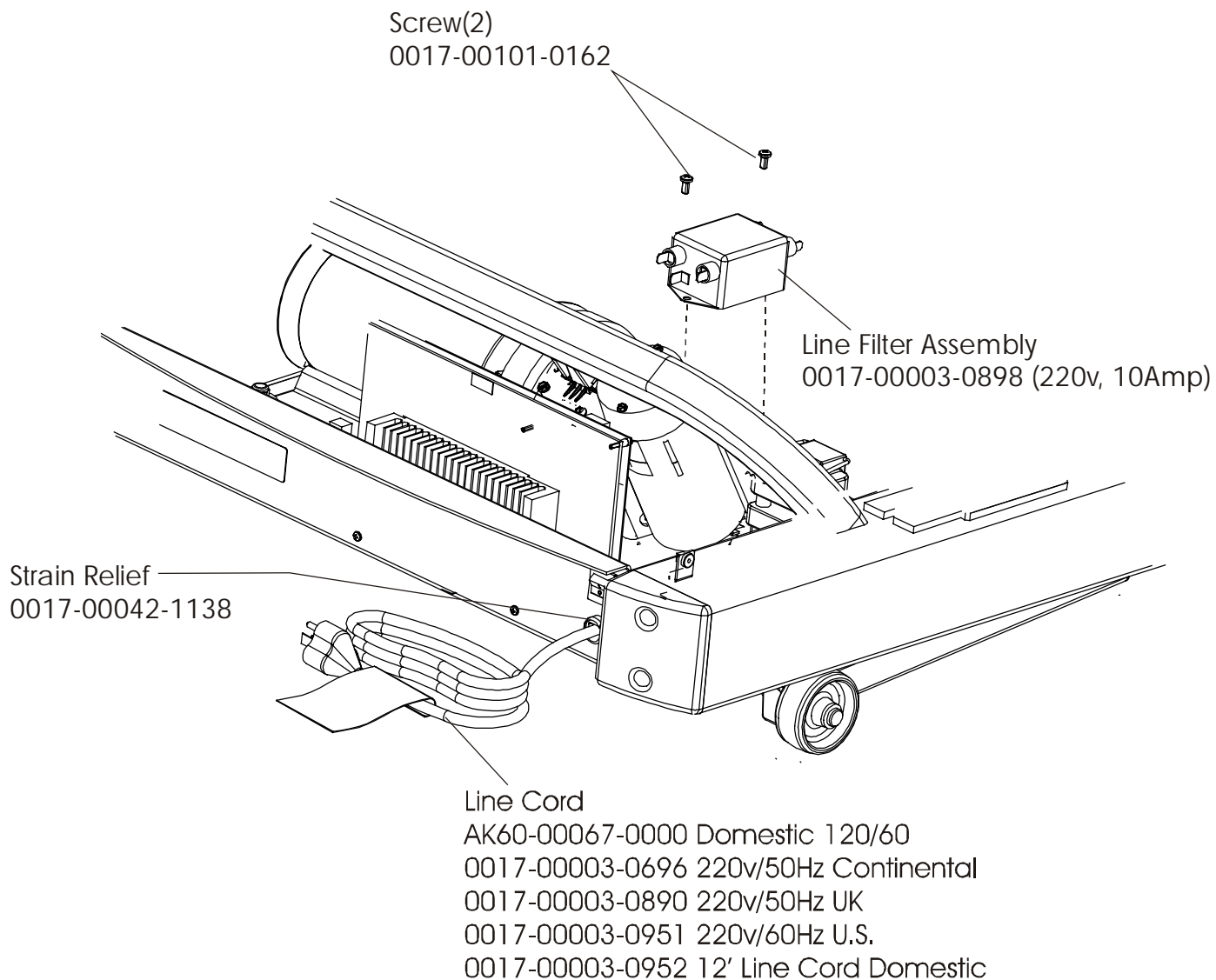
DC Controller
Mounting Screws(4)
0017-00101-0162

DC Controller
GK60-00002-0002
100-120v/50-60H
GK60-00002-0003
222-240v/50-60H



ON/OFF Switch
0017-00032-0198

Line Filter Assembly and Line Cord



Cables

